

Autonomous Gathering of Livestock Using a Multi-functional Sensor Network Platform

Marek Doniec^{*}, Carrick Detweiler^{*}, Iuliu Vasilescu^{*}, Dean M. Anderson[†], and Daniela Rus^{*}
^{*} Computer Science and Artificial Intelligence Laboratory, Massachusetts Institute of Technology, Cambridge, MA
{doniec,carrick,iuliu,v,rus}@mit.edu
[†] USDA-ARS, Jornada Experimental Range, Las Cruces, NM
deanders@nmsu.edu

Abstract

In this paper we develop algorithms and hardware for the autonomous gathering of cattle. We present a comparison of three different autonomous gathering algorithms that employ sound and/or electric stimuli to guide the cattle. We evaluate these algorithms in simulation by extending previous behavioral simulations for cattle. We implemented one of these algorithms and present data from experiments in which cattle were equipped with sensor nodes that allowed cueing with sound and electric stimuli. We discuss the minimum requirements for algorithms and hardware for autonomous gathering.

1 Introduction

Using sensor networks to control livestock is of great interest to the agricultural community. The use of sensor networks for livestock allows farmers to monitor and control the herd even when the farmer is far away. This can, for example, help detect illness-related behavior, improve land management, and develop animal behavior models. In this paper we focus on using wireless sensor networks to autonomously gather animals. Gathering is a routine husbandry practice that requires animals to be gathered to a specific location, for example a corral. Currently, when a producer performs gathering, he determines the animals' locations and drives out to manually gather the animals. If the paddock and herd are large, the cost of gathering is significant. We aim to automate this process.

In this paper we present algorithms and hardware to autonomously gather cattle. We present experiments demonstrating the use of our hardware to gather cattle both manually using remote radio control and autonomously based on a predetermined schedule.

This paper is organized as follows. Section 2 reviews wireless sensor network applications in animal monitoring and control. In Section 3 we present the initial algorithm for autonomous gathering and verify it in simulation. Section 4 presents the sensor node hardware platform used for experiments. Section 5 describes the experiments and results. Section 6 discusses experimental results and presents extensions to the first algorithm. Section 7 concludes.

2 Related Work

An early experiment performed in 1966 by Albright *et al.* [1] demonstrated the use of sound to move animals. The experiment strapped large tape recorders to one animal of the herd. The tape recorder was monaural, preset to trigger at a set time using voice commands that the cows were previously habituated to from routine husbandry practices.

More recently, sensor networks have provided autonomous methods to monitor animals. Thorsten *et al.* [11] presented a low-cost, wireless communication network system they call the 'Electronic Shepherd' in order to track sheep during the grazing season. Schwager *et al.* [10] and Guo *et al.* [4] used wireless sensor net-

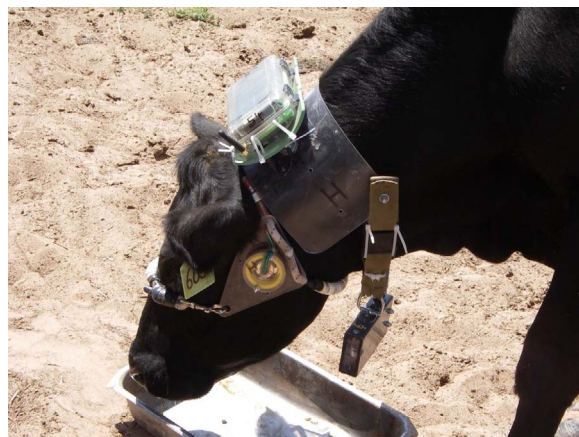


Figure 1. Cow wearing autonomous gathering sensor node.

works to monitor cattle and calibrated behavioral models for livestock using the gathered data. Kwong *et al.* [6] presented a similar system for cattle monitoring with no additional modeling. Zhang *et al.* [12] presented a platform to monitor zebras called 'ZebraNet'.

In the past few years there have been efforts to extend these sensor networks to control free-ranging animals. Butler *et al.* [2] proposed the use of wireless sensor networks for virtual fencing. Lee *et al.* [7] used wireless sensor networks for bull separation. Both use similar stimuli as autonomous gathering but achieve different goals and require different algorithms. To our knowledge, this paper presents the first work in autonomous gathering using wireless sensor networks.

3 Gathering Algorithm

In this section, we formalize the problem of autonomously gathering animals, provide the intuition on which we based our initial gathering algorithm, and present the gathering algorithm consisting of a repetitive cueing loop using only sound.

3.1 Problem Statement

We assume there are n cows with positions $P_i \in \mathcal{R}^2$ for $i \in \{1..n\}$. We are given a goal position $P_g \in \mathcal{R}^2$ where we want the cattle to gather. The problem is to move all the animals to the goal location such that $\|P_i - P_g\| \leq \epsilon$ for some $\epsilon \in \mathcal{R}$.

3.2 Repetitive Cueing with Sound

We designed the gathering algorithm based on the experience and intuition of animal scientists who routinely work with livestock. The goal is to develop an automatic herding algorithm that is low-stress and natural for the animals. Humans gather animals by riding or driving behind the group and giving voice commands. The gathering algorithm presented here tries to simulate this experience.

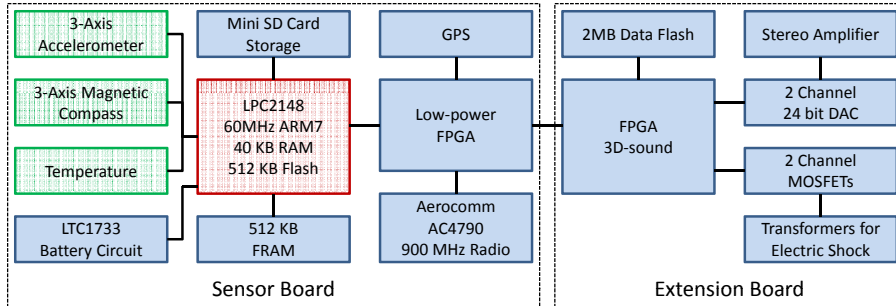


Figure 2. Overview of the platform used during gathering experiments. The extension board (right side) is usually turned off to save power. It is only activated when the sensor board (left side) decides to cue the animal.



Figure 3. Simulation of Algorithm 1. See Section 3.3 for a description.

Algorithm 1 outlines a gathering algorithm utilizing only sound cues. Every iteration provides an aural cue to the cow with the loop condition ensuring that the algorithm repeats until the cow is within ϵ of the goal position. The parameters t_{sound} and t_{wait} can be random variables to make habituation of the animals to the cues less likely.

3.3 Simulation

Figure 3 shows the results of a simulation of Algorithm 1. The simulation was based on the behavioral model presented by Schwager *et al.* [10]. Schwager’s model simulates the interaction forces between animals as well as their interaction with the environment using parameters based on previously collected data. For the purpose of this simulation the animals’ responses to 3D sound cues was assumed to be probabilistic. In the simulation the animals walk in the cued direction 50% of the time and do not react to the cue otherwise.

Schwager’s model describes two forces acting upon the animal (between animals and environment to animal). We add a third force representing the cueing effects. The simulation weights each of these forces by a factor to determine the absolute force acting upon the animal. Relative to the Schwager model, we use a weight of 1.0 for the interaction force between animals and a weight of 0.4 for the interaction force between the environment and the animal. In determining the cueing force, no scientific data defines the relationship between applied stimuli and animal response. We specifically choose cueing to have a higher impact than the environment, but a lower impact than interactions between the animals, giving it a value of 0.6.

The results of one simulation run can be seen in Figure 3. The cows began at a random location near the middle of the paddock and the simulation ran until the cows gathered. We performed a total of 20 such simulation runs and in all simulations the cows were gathered successfully within 45 minutes. This validates the theory behind Algorithm 1.

4 Platform

For the experiments we need a platform capable of gathering basic information such as GPS position and orientation of the cow. The platform should offer enough computational power to run all necessary algorithms. A radio is also required to allow continuous real-time monitoring and remote triggering of the gathering algorithm. Further, we need the ability to cue the animals. We would like to use two different methods: (1) a sound cueing system and (2) an electric stimuli system. As a last requirement the platform should be able to run continuously for at least a week to allow for reasonable length, maintenance free, deployments.

Figure 1 shows an animal wearing our in-house developed sensor platform outlined in Figure 2. This platform provides the required functionality discussed above. It is based on the LPC2148 ARM7 processor [8] running at 60 MHz. The processor has 40 KB

of on-chip RAM and 512 KB of on-chip program flash. In addition there is a 32 KB FRAM and a mini-SD card slot for data storage and logging. Communication between different sensor boards and the user is available via a 900 MHz Aerocomm AC4790 radio link. The sensor board is equipped with all necessary sensors: temperature, compass, accelerometers, and GPS. An expansion board provides electric and aural cueing functionality.

4.1 Electric Stimuli Subsystem

To provide electric stimuli the board is equipped with two drivers and two transformers to generate a high voltage. Each transformer’s power output is up to 500mW, but can be scaled by adjusting the duty cycle. The drivers are controlled by two pulse generators running inside an FPGA mounted on the expansion board. The length of each pulse, the distance between pulses, and the total number of pulses can be configured independently for the left and right electric stimuli channel from the sensor board using a serial peripheral interface.

4.2 3D Sound Subsystem

To provide sound cueing the extension board utilizes a FPGA for 3D sound processing and is further equipped with a 2 MB Data flash to store the sound file, a 24bit stereo digital to analog sound converter, and a stereo amplifier. We simulate directionality of the sound by computing the running length distances between the virtual location of the sound source and the computed locations of the cows ears. When cueing the animal aurally, the sensor board uses the onboard accelerometer and magnetometer to continuously compute the yaw, pitch, and roll of the cow’s head. The virtual sound source is placed at a simulated distance of 10 meters away from the animal’s head location in the direction from which we wish to cue the animal. Using the orientation of the cow’s head, the location of the virtual sound source, and the assumption that the cow’s ears are spaced by 50cm, the cpu computes the running length distances between the source and each of the cow’s ears. From this, it computes the attenuation in percent for each ear and their relative phase difference in milliseconds. This information is computed at 20 Hz and forwarded to the FPGA on the expansion board using a serial peripheral interface. The FPGA fetches data from a monoaural wave file stored inside the flash. It then attenuates and appropriately delays the signal for each ear to create a stereo, directional sound. The delay can be set between 0 to 2048 samples for each channel. Since the sound file is recorded at 22 KHz this results in a resolution of

Algorithm 1 Repetitive Gathering Using Sound

```

while  $|P_{cow,i} - P_{goal}| > \epsilon$  do
  SOUND( $t_{sound}$ )
  WAIT( $t_{wait}$ )
end while

```

Fig.	dist. (m)	cue time (min)	each cue (sec)	no. cues	time to gather (min)
4b	700	5	30	7	13
c	700	40	30	15	55
d	900	20	30	16	50
e	850	48	30	26	no
f	700	20	60	21	no
g	3000	240	10	720	no
h	1700	70	10	210	70

Table 1. Experimental results. See Section 5.3 for details.

0.05 ms and a maximum delay of 93 ms. This delay is sufficient to simulate the sound originating from any direction. The signal is then synthesized using the ADC and amplifier and output on two speakers mounted close to the cow’s ears. We measured the maximum output of each speaker at a frequency range of 1 KHz to 10 KHz to be 90dB at a distance of 10cm.

The entire system is housed inside an OtterBox 3000 case to protect all the components from dirt and water. The electrodes and speakers are connected using Switchcraft EN3 connectors. The sensor box is mounted on the neck of the animal with a specially designed collar that also holds the speakers and electrodes.

5 Experiments

We performed gathering experiments to validate our algorithm. In the first set of experiments we gathered the animals by manually applying stimuli using radio control. We then performed two autonomous gathering experiments using Algorithm 1. All experiments were performed on a group of 5 animals. Each of the 5 animals was equipped with a sensor node. However, prior to our radio controlled gathering experiments two of the animals managed to sever the connection between the battery at the bottom of the collar and the sensor node at the top. As a result, during the radio controlled gathering, only 3 out of 5 animals were cued and the GPS plots show only these 3 animals. However, we observed during the experiments that the other 2 animals remained continuously in the group and gathered successfully.

The experiments occurred on paddocks 7B and 10B on the Jornada Experimental Range of the United States Department of Agriculture. Paddock 7B was used during the radio controlled gathering experiments and can be seen in Figure 4(b). It has the shape of an isosceles triangle with sides of approximately 1500 m west and east and 1300 m south. The corral is located at the northern tip. Paddock 10B is diamond-shaped with side lengths of approximately 2100 m shown in Figure 4(g). The corral is located in the southern corner. The vegetation is a Chihuahuan Semidesert Grassland [5]. It is relatively bush-free but offers the occasional obstacle to the cows in the form of Yucca trees and mesquite. Figure 4(a) shows a sample of the vegetation.

5.1 Gathering with Radio Control

We performed a total of 5 gathering experiments with radio control in paddock 7B between Jan. 29th and Feb. 2nd, 2009. In preparation for the experiments, we drove a boom-truck to the middle of the paddock about 800 m south of the corral as seen in Figure 4(b). The boom-truck served as the observatory and base station for the researchers during the experiments. The goal was to gather and move the animals to a corral located at the northern end of the paddock. The animals are usually moved to this location when manual gathering is performed. For all 5 experiments the animals’ initial start locations were between 700 m and 900 m from the goal location.

The cows were equipped with the sensor nodes the day before the experiments started, ensuring they were not influenced by human presence when the experiments began. We performed one gathering on each of the following 5 days at which point we removed the boxes.

For each of the 5 experiments, we began the experiment between 7:00 h and 10:45 h local time. In starting the experiment, we traveled with the base station equipment to the boom truck at least 30 minutes before starting the experiment. We chose a 30 minute interval to prevent possible influence of the scientists on the animals. Once the experiment started, we used the base station to send aural cueing commands to the animals over the radio.

5.2 Autonomous Gathering

We performed two autonomous gathering experiments on August 11th and 12th, 2009 in paddock 10B. Both experiments utilized Algorithm 1 presented in Section 3. We stopped the algorithm once the animals were gathered successfully or after 4 hours, in case gathering was not successful. In preparation for the experiments we drove the boom-truck serving as the observatory and base station to the middle of the north-east fence of the paddock as seen in Figure 4(g).

On August 11th we released the cows at the north end of the paddock at approximately 13:00 h. We set the sensor boxes to initiate gathering at 14:30 h on August 11th and 8:45 h on August 12th. On August 11th the cows were approximately 3000 m away from the goal location while on August 12th, when the gathering algorithm started, the animals were located in the middle of the paddock, approximately 1700 m away from the goal location. During the second experiment, the animals did not initially respond to sound cues. While the gathering algorithm was running autonomously, we manually used the radio link to apply electrical stimuli to the animals. Specifically, we applied this stimuli in 100 ms bursts every 20 sec for approximately a 5 min period. After this period, the cattle began moving and we did not interfere further with the autonomous aural gathering algorithm.

5.3 Results

Table 1 summarizes the experimental results for gathering with radio control (Figures 4 (b)-(e)) and autonomous gathering (Figures 4 (g)-(h)). The second column gives the animals’ approximate distance from the goal at the beginning of the gathering experiment. The third column is the time from the beginning of the first sound cue to the end of the last sound cue during the experiment. The fourth column is the length of each individual sound cue applied. The fifth column gives the total number of cues applied during the experiment averaged across the 3 animals. For the autonomous gathering cues were applied every 20 seconds (0.05 Hz) resulting in the total seen in the fifth column. The last column gives the total time from the beginning of the experiment (first cue applied) until the animals gathered. A ‘no’ means the animals did not gather successfully in that experiment.

The GPS plots for all gathering with radio control experiments are shown in Figure 4. In experiments (b), (c), and (d) the cows were successfully gathered. In (e), the cows showed no long lasting reactions to cueing and did not gather successfully into the corral at all. In (f), the cows initially showed a reaction to cueing and started walking towards the corral. However, after cueing stopped the cows resumed foraging.

The possible reasons for failing to gather are that the cues in (e) were not administered frequently enough and in (f) the cows should have been cued again once they stopped gathering. Unfortunately, the radios we used during the experiments performed very poorly offering a range of communication of only a few hundred meters and dropping messages frequently even for distances below 100m. As a result, we were not always able to continuously cue the animals when desired and had no feedback as to when a cue was actually applied apart from seeing the animals reaction (though all applied cues were recorded in log files on the sensor boxes for later analysis). This prevented us from always being able to cue the animals when desired. We believe that the bad radio communication

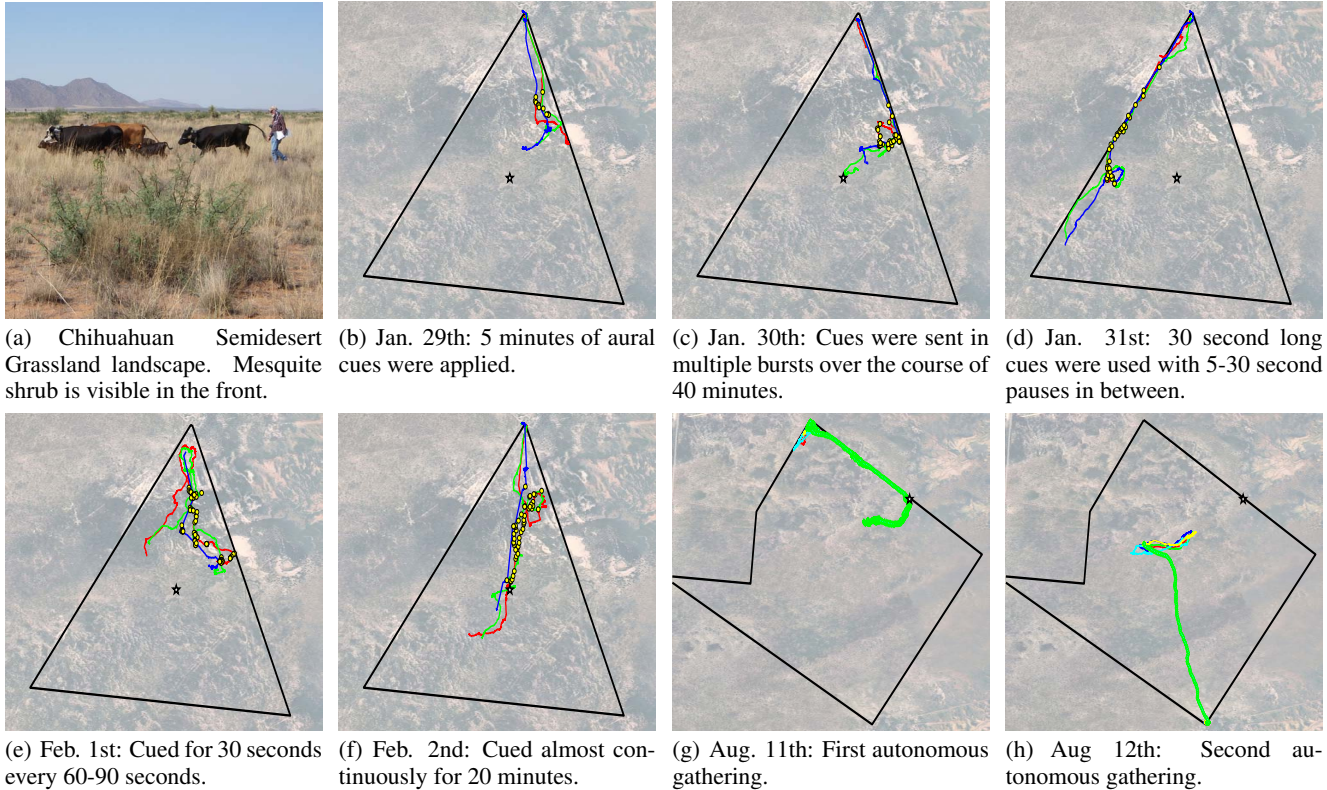


Figure 4. (b)-(f): GPS plots of 3 cows during radio controlled gathering experiments. (g)-(h): GPS plots of 5 cows for autonomous gathering experiments. The boom-truck’s location is marked by a star and cues are marked by yellow dots (b-f) and green diamonds (g-h). The corral is located at the northern (b-g) and southern (g-h) end of the paddock. In all experiments the cows were foraging when the first cues were applied. The cows gather successfully in (a), (b), (c), and (h) and did not gather in (d), (e), and (g).

was a significant reason for why we were not able to gather the animals in (e) and (f). We believe that the use of autonomous gathering algorithms can help overcome this problem since radio communication is not essential once the autonomous gathering algorithm is started.

The GPS plots for the two autonomous gathering experiments can be seen in Figures 4 (g) and (h). In the first experiment the cows started gathering successfully. However, during the gathering the weather changed significantly. We observed stronger winds as well as clouds and lightning. Since cattle do not behave predictably in storms [3, 9] we attribute this failed gather to the weather change. In Section 3.3 we explained how we simulated three forces acting upon each animal (between animals, environment to animal, and queuing force). We propose that changes in weather introduce changes in the environmental force upon the animal. In the case of our failed gather we presume that the force introduced by the lightning storm simply outweighed the force exerted by aural cueing. The utilization of electric stimuli could possibly overcome this and is introduced as a possible extension in Section 6.1.

In the second autonomous gathering experiment the cows did not initially move when the gathering algorithm started cueing them. Only after we cued the cows with electric stimuli using the radio link did the cows start moving. However, once they were moving no additional electrical stimuli were necessary and the cows gather directly into the corral. Looking at the forces acting upon the animal, the cows behavior during the second autonomous gathering experiment suggests that the state of the animal presents a fourth force that possibly needs to be overcome. In this model, the initial cueing with only sound did not present a strong enough force

to overcome the force exerted by the animal’s desire to remain foraging. However, once we increased the cueing force acting upon the animal, by using electric stimuli, the animals started gathering. This changed their state and thus the force exerted by the animals state making it possible to gather the cows without further electric stimuli.

It is also worth noting that the walking pattern visible on the GPS plot is actually a path frequently utilized by the animals. Both the reaction to changing weather and the cows adherence to an existing path are examples of how the environment plays a major role in controlling cattle.

6 Extensions

Our results demonstrated the need for a variety of cueing mechanisms and more adaptive mechanisms.

Based on this we propose two extension of Algorithm 1: (1) adding mild electric stimuli and (2) providing more adaptivity.

6.1 Repetitive Cueing with Sound + Electric Stimuli

Algorithm 2 shows repetitive cueing with sound and electric stimuli. It extends Algorithm 1, which utilized only sound cues. If the cow is not moving after the algorithm plays a sound, the algorithm will apply electric stimuli to the cow.

In our second experiment, we would not have had to intervene were we using Algorithm 2, suggesting that it is a better candidate for gathering. In our first experiment, it is difficult to predict the outcome had we used Algorithm 2. It might have provided sufficient stimulus to overcome the effect of the thunderstorm; however

Algorithm 2 Repetitive Gathering Using Sound and Electric Stimuli

```
while  $|P_{cow,i} - P_{goal}| > \epsilon$  do
  SOUND( $t_{sound}$ )
  if  $cow_{speed} == 0$  then
    SHOCK( $t_{shock}$ )
    WAIT( $t_{wait2}$ )
  else
    WAIT( $t_{wait}$ )
  end if
end while
```

Algorithm 3 Adaptive Gathering Using Sound and Electric Stimuli

```
intensity = 0.1;
while  $|P_{cow,i} - P_{goal}| > \epsilon$  do
  if  $cow_{speed} == 0$  then
    SOUND( $t_{sound}$ )
    if intensity > 0.3 then
      SHOCK( $t_{shock}, intensity$ )
    end if
    intensity =  $\min(1.0, intensity + 0.1)$ 
  else
    intensity =  $\max(0.1, intensity - 0.1)$ 
  end if
  WAIT( $t_{wait}$ )
end while
```

this is not certain. This is because the behavior of cattle in a thunderstorm is difficult to predict. In such a case, continued electrical stimuli might gather the animal or only increase its stress levels without positive effect. The study of this relationship remains future work.

6.2 Adaptive Cueing with Sound + Electric Stimuli

During the radio controlled gatherings, we observed that the animals responded better to longer aural cue windows of approximately 30 seconds or longer. Algorithm 1 and Algorithm 2 should provide cues of this length to ensure that the animals respond. However, prior observations of gathering by humans suggests that the animals need the voice command only when they stop moving or begin moving in the wrong direction. The animals did not need to be cued by the humans when their heading towards the gathering goal was approximately correct. Part of the reason is that the animals make a network of roads on their paddocks. They know where these roads are and tend to follow roads once on them. Therefore, once the animals are on these paths we are less likely to need to provide stimuli.

Based on these observations, we present Algorithm 3 as an extension to Algorithms 1 and 2. Algorithm 3 adapts cueing frequency and intensity to the animal's behavior. The outermost loop is responsible for stopping the cueing once the animal has reached the goal location.

The first of the two `if` statements are responsible for checking if the cow is moving. It is important to note that cow_{speed} is the component of the cow's actual speed that points towards the goal position. If the cow is not moving ($cow_{speed} == 0$), we first cue the cow with sound. If the cow has not been moving for a few cycles ($intensity > 0.3$), then we also apply electric stimuli to the cow. The strength of the electric stimuli increases with the value of $intensity$. The variable $intensity$ always remains in the range $\{0..1\}$. Its value increases when the cow is not moving and decreases when the cow is moving. This means that when the cow does not move the strength of the electric stimulus gradually increases. Therefore, to

prevent excessive electrical electric stimuli to the animal we upper bound $intensity$. If, on the other hand, the cow is moving ($not\ cow_{speed} == 0$) then we do not cue the animal and decrease the value of $intensity$ with a lower bound of 0.

This algorithm ensures that the animal is cued only if it is not already moving towards the goal. If it stops moving, we always first use sound cues. If the animal habituates to the sound and does not respond to the cue, the sound cues are reinforced with increasing electric stimuli. Both cues stop as soon as the animal starts responding. An advantage of Algorithm 3 is that it will automatically perform long bursts of cues if the animals are not moving given proper choices for its parameters t_{sound} , t_{wait} , etc. We plan to conduct autonomous gathering experiments using Algorithm 3 in the summer of 2010.

7 Conclusion

We present a set of algorithms and experiments to gather cattle. We provide two sets of stimuli. We performed 7 experiments.

In summary, our experiments show that to successfully gather animals we have to take into account many environmental factors such as weather and existing paths in the landscape. Further, we showed that to reliably gather animals electric stimuli are necessary in addition to sound cues. Sound cues will keep the animal going for most of the time, but electrical stimuli can help if the animal is not reacting to sound. This can happen at the beginning of the gather because the animal is resting, such as during our second autonomous gathering experiment. This could also happen in the middle of a gather, such as seen in Figure 4(f). Further, our experiments demonstrated the necessity for robust and fault-tolerant hardware because of the harsh environmental conditions (heat, dirt, rain) and rough handling of the sensors by the animals.

8 Acknowledgments

We would like to acknowledge the following groups for their financial support: Microsoft Research, NSF, and Smarts MURI. We would like to thank the following people for their assistance: Elizabeth Basha, Roy Libeau, Steven Proulx, and Mac Schwager.

References

- [1] J. L. Albright, W. P. Gordon, W. C. Black, J. P. Dietrich, W. W. Snyder, and C. E. Meadows. Behavioral responses of cows to auditory training. *Journal of Dairy Science*, 49:104–106, 1966.
- [2] Z. Butler, P. Corke, R. Peterson, and D. Rus. From robots to animals: Virtual fences for controlling cattle. *Int. J. Rob. Res.*, 25(5-6):485–508, 2006.
- [3] M. Cully. Grazing habits of range cattle. *J. For.*, 36:715–717, 1938.
- [4] Y. Guo, G. Poulton, P. Corke, G. Bishop-Hurley, T. Wark, and D. Swain. Using accelerometer, high sample rate gps and magnetometer data to develop a cattle movement and behaviour model. *Ecological Modelling*, 220(17):2068–2075, September 10 2009.
- [5] K. Havstad, L. Huenneke, and W. Schlesinger. *Structure and Function of Chihuahuan Desert Ecosystem*. New York, USA: Oxford University Press, 2006.
- [6] K. H. Kwong, T. T. Wu, H. G. Goh, B. Stephen, M. Gilroy, C. Michie, and I. Andonovic. Wireless sensor networks in agriculture: Cattle monitoring for farming industries. *Progress In Electromagnetics Research Symposium*, 5(1):31–35, March 23–27 2009.
- [7] C. Lee, K. C. Prayaga, A. D. Fisher, and J. M. Henshall. Behavioral aspects of electronic bull separation and mate allocation in multiple sire mating paddocks. *Journal of Animal Science*, 86:1690–1696, 2008.
- [8] Phillips. *LPC241x User Manual*, 2 edition, July 2006.
- [9] N. Rutter. Time lapse photographic studies of livestock behaviour outdoors on the college farm aberystwyth. *J. Agric. Sci.*, 71:257–265, 1968.
- [10] M. Schwager, C. Detweiler, I. Vasilescu, D. M. Anderson, and D. Rus. Data-Driven identification of group dynamics for motion prediction and control. *Journal of Field Robotics*, 25(6-7):305–324, 2008.
- [11] B. Thorstensen, T. Syversen, T.-A. Bjørnvold, and T. Walseth. Electronic shepherd - a low-cost, low-bandwidth, wireless network system. In *MobiSys '04: Proceedings of the 2nd international conference on Mobile systems, applications, and services*, pages 245–255, New York, NY, USA, 2004. ACM.
- [12] P. Zhang, C. M. Sadler, S. A. Lyon, and M. Martonosi. Hardware design experiences in zebnet. In *SenSys '04: Proceedings of the 2nd international conference on Embedded networked sensor systems*, pages 227–238, New York, NY, USA, 2004. ACM.